

Tare weight from **203kg per module**

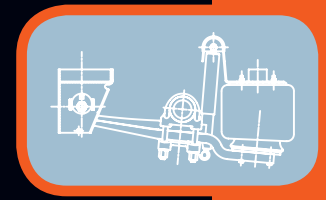
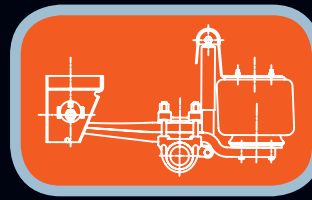
TMC **TL12** Series of Air Suspensions have been designed for Australia's outback, for heavy duty and off highway applications and especially suitable for high centre of gravity loads.

TMC **TL12** Twin Leaf Suspension with 12 tonne rated capacity can be fitted with either drum or disc brake axles as well as with either "preset" or unitized bearings for reduced maintenance and lower life cycle costs.

TL12 Series

- ✓ 3-year structural warranty
- ✓ 12 tonne rated capacity
- ✓ Road Friendly certified
- ✓ Vertical or lay forward shocker mounts
- ✓ Heavy duty shock absorbers
- ✓ Easy alignment system
- ✓ 360mm diameter air springs

TL12 SERIES AIR SUSPENSION



SUSPENSION RIDE HEIGHTS FROM 200MM – 310MM LOW MOUNT SUSPENSION

APPLICATION

MODEL	RIDE HEIGHTS (DIM H)	DIM B	DRUM /DISC BRAKE
617200	200mm	185mm	YES/NO
617240	240mm	225mm	YES/YES*
617280	280mm	265mm	YES/YES*
617310	310mm	295mm	YES/YES*

SUSPENSION RIDE HEIGHTS FROM 380MM – 520MM HIGH MOUNT SUSPENSION

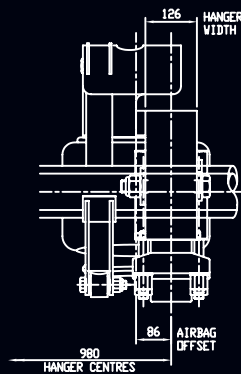
617380	380mm	185mm	YES/YES
617420	420mm	225mm	YES/YES
617460	460mm	265mm	YES/YES
617490	490mm	295mm	YES/YES
617520	520mm	325mm	YES/YES

Note: Model Designations for Vertical Shock Absorber Suspensions begin with 618XXX (XXX denotes ride height)

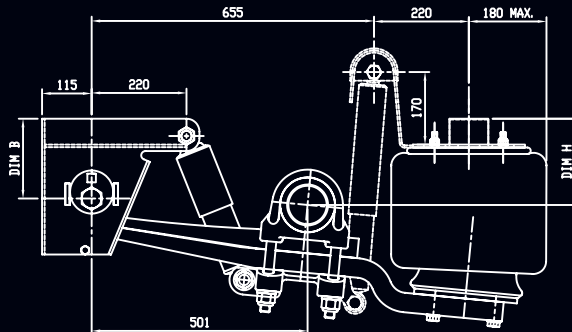
* Disc brake applicable to vertical shock absorber suspension only.

Options

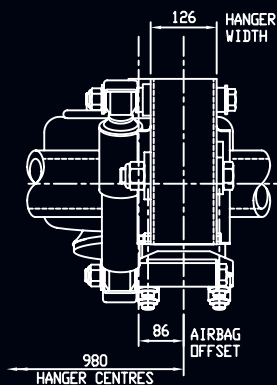
- Axle lift 90mm lift standard
- Side and centre axle lift
- Full range of pneumatic kits
- Tapered hangers
- Lay Forward or Vertical Shockers



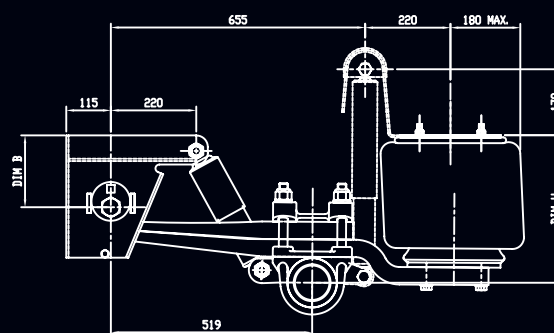
VERTICAL SHOCKER FRONT VIEW



LOW MOUNT SUSPENSION



LAY FORWARD SHOCKER FRONT VIEW



HIGH MOUNT SUSPENSION

TMC Australia Pty Ltd
78 Star Crescent, PO Box 5028, Hallam, Victoria 3803. Ph 03 8786 3688 Fax 03 8786 3699 Email: info@tmcaus.com.au
www.tmcAustralia.com.au

TMC Axle Manufacturing Sdn Bhd
No 79 & 80 Jalan 5/10B, Spring Crest Industrial Park, 68100 Batu Caves, Kuala Lumpur, Malaysia
Ph + 603 6187 7788 Fax + 603 6187 6722 www.tmc.com.my

A member of The **T**rumas Group

Due to our policy of continuous R&D, we reserve the right to amend specifications without notice or obligation.

TU12 SERIES SPECIFICATIONS