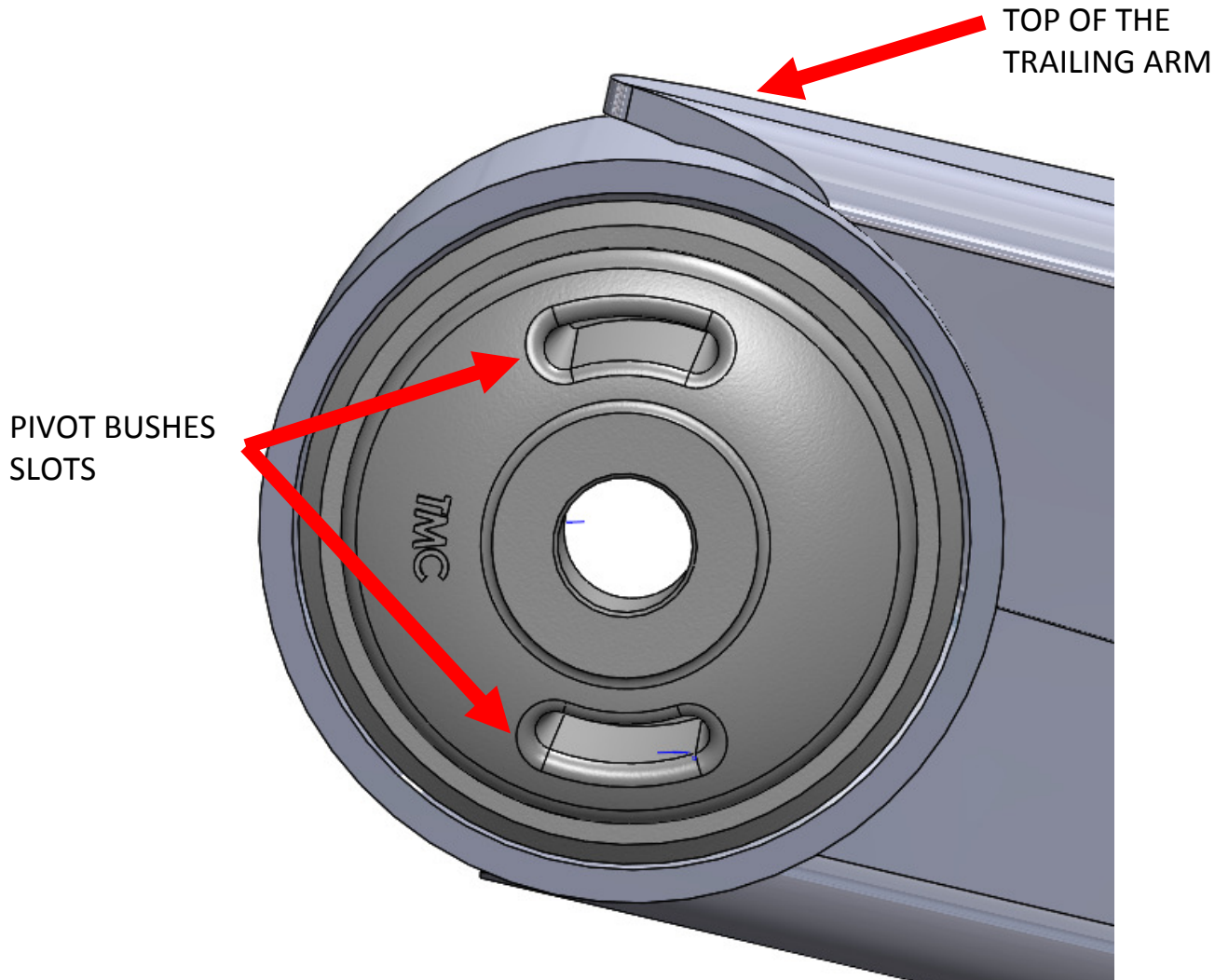


Date: 13.04.2015

LMV Series Air Suspension Arm Pivot Bushes Orientation.



THE TWO SLOTS IN THE RUBBER PIVOT BUSHES MUST BE LOCATED AT THE TOP AND BOTTOM OF THE TRAILING ARM BUSH HOUSINGS AT RIDE HEIGHT.

TMC AUSTRALIA PTY LTD
78 Star Crescent, P.O. Box 5028
Hallam, Victoria, 3803

Telephone: + (61) 3 8786 3688
Facsimile: + (61) 3 8786 3699
E-mail: info@tmcaus.com.au