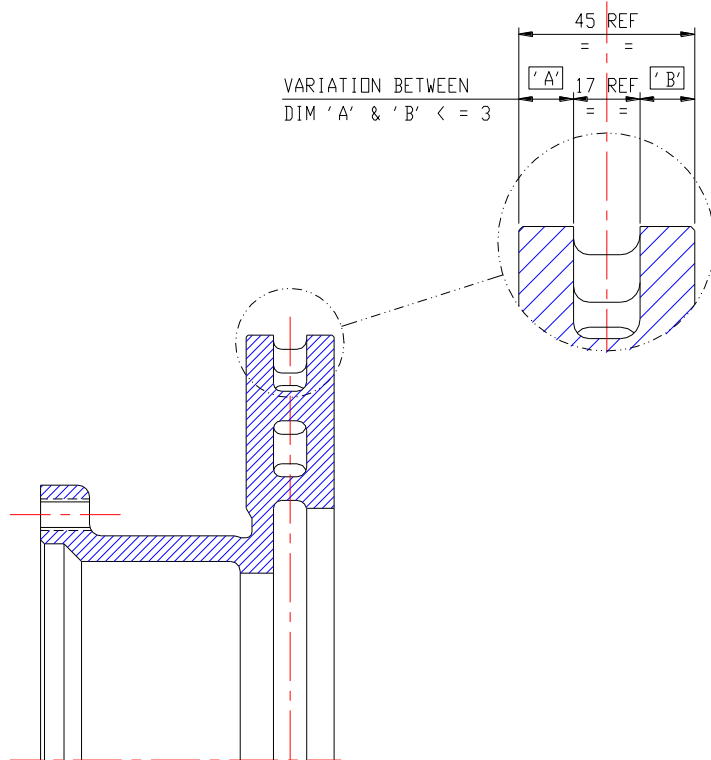


Subject: Disc Rotor Flange Thickness Allowance.

This Bulletin specifies the recommended Pan 19 and Pan 22 disc rotor flange thickness variation allowance from the inside and outside ends.

- 1) Measure rotor flange thickness - Dimensions 'A' and 'B' as shown. Variation should be within 3mm maximum.



2) Compliant Rotor

Non Compliant Rotor:

