

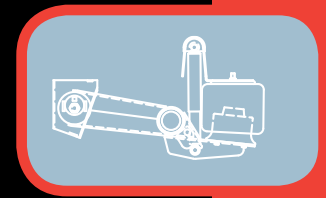
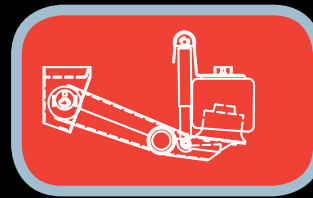
Tare weight from **135kg per module**

- ✓ 3 years structural warranty
- ✓ Versatile shocker mount system
- ✓ Heavy duty shock absorbers
- ✓ Easy to align, no welding after alignment
- ✓ No 'U' bolts
- ✓ Extra strong air spring support
- ✓ Available in ride heights from 170mm – 500mm

LM✓ Series

TMC LM✓ Series range of Air Suspensions have been designed for all Australian operating conditions. New ✓ersatile shocker mounting system makes fitment a breeze. TMC LM✓ Series will deliver you increased profits through long life components resulting in lower maintenance costs. This suspension has the ✓ERSATILITY to accommodate those clients with a preference for vertically mounted shockers.

LM✓ SERIES AIR SUSPENSION



SUSPENSION RIDE HEIGHTS FROM 170MM – 290MM LOW MOUNT SUSPENSION

APPLICATION

MODEL	RIDE HEIGHTS Dim H	Dim B	Drum Brake / Disc Brake
LM654150	150mm	200mm	Yes / Yes
LM654200	200mm	175mm	Yes / Yes
LM654250	250mm	215mm	Yes / Yes
LM654290	290mm	255mm	Yes / Yes

SUSPENSION RIDE HEIGHTS FROM 330mm – 500mm HIGH MOUNT SUSPENSION

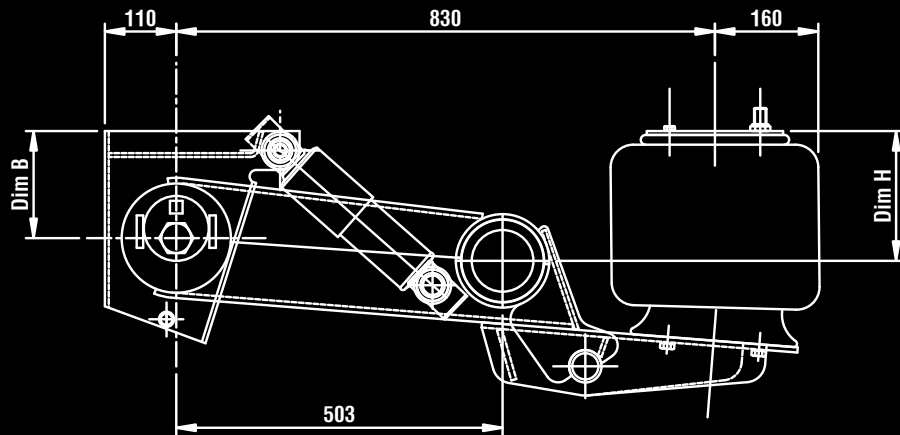
LM654330	330mm	135mm	Yes / Yes
LM654360	360mm	175mm	Yes / Yes
LM654410	410mm	215mm	Yes / Yes
LM654450	450mm	255mm	Yes / Yes
LM654500	500mm	305mm	Yes / Yes

Note: Model Designations for Vertical Shock Absorber Suspensions begin with 653XXX (XXX denotes ride height).

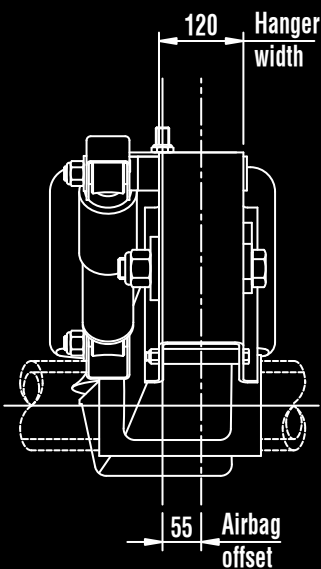
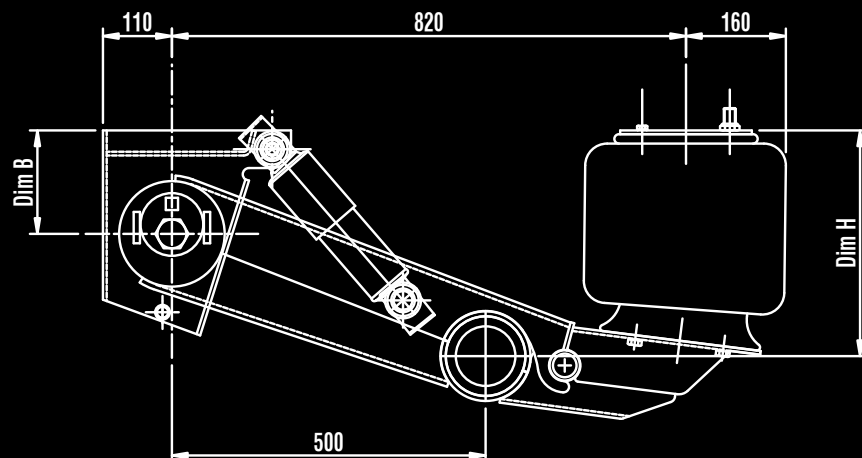
Options

- Axle lift 90mm lift standard
- Centre axle lift
- Full range of pneumatic kits
- Rear cam position on low mount
- 10 tonne capacity standard

LOW MOUNT SUSPENSION



HIGH MOUNT SUSPENSION



LMV SERIES FRONT VIEW

TMC Australia Pty Ltd
78 Star Crescent, PO Box 5028, Hallam, Australia 3083. Ph 03 8786 3688 Fax 03 8786 3699 Email: info@tmcaus.com.au
www.tmcaustralia.com.au

TMC Axle Manufacturing Sdn Bhd
No 79 & 80 Jalan 5/10B, Spring Crest Industrial Park, 68100 Batu Caves, Kuala Lumpur, Malaysia
Ph + 603 6187 7788 Fax + 603 6187 6722 www.tmc.com.my

A member of The **T**rumas Group

Due to our policy of continuous R&D, we reserve the right to amend specifications without notice or obligation.

LMVSD0408

LMV SERIES SPECIFICATIONS