



TMC Air Suspension Identification Chart

Customer:

Contact No.:

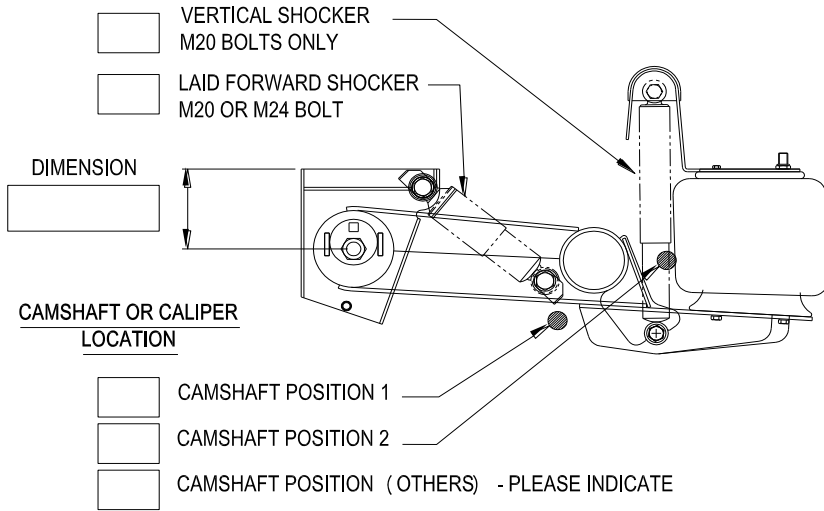
Air suspension S/N:

Make/Model of Trailer:

Year of Manufacture:

✓ Please tick on the appropriate box

LOW ARMS

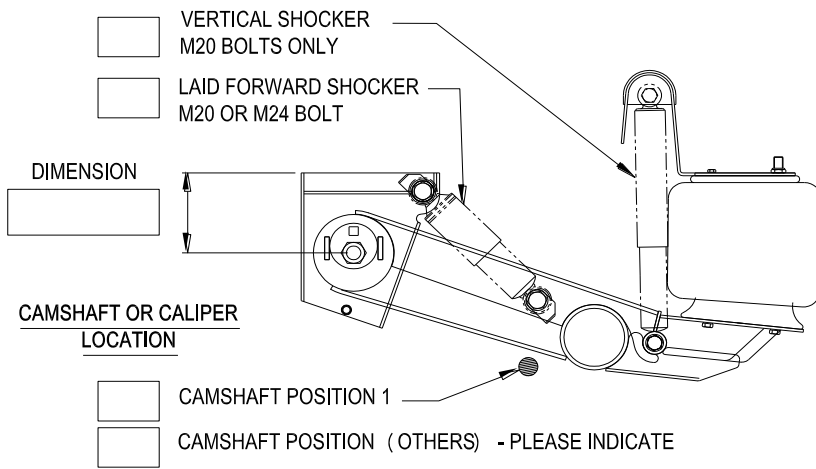


SHOCK ABSORBER BOLTS

M20 BOLTS

M24 BOLTS

HIGH ARMS



SHOCK ABSORBER BOLTS

M20 BOLTS

M24 BOLTS

